

# Cockatiel Playtop Cage

Model: # 1814 PT

Instructions online at [www.prevuepet.com](http://www.prevuepet.com)

## read first REVIEW BEFORE ASSEMBLY

- No tools are required for assembly
- For best results, follow the Steps in the order they are presented

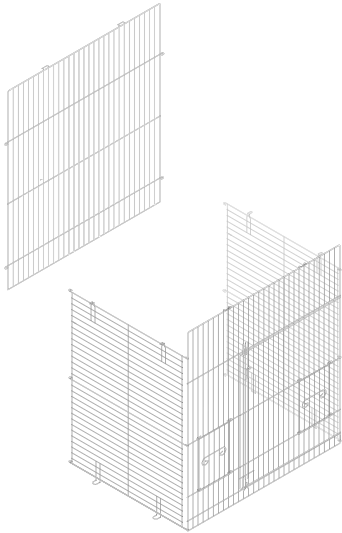
For assistance or replacement parts, please contact Prevue Pet Products:

**PHONE** 312.243.3624

**ONLINE** [www.prevuepet.com](http://www.prevuepet.com)

**EMAIL** [customerservice@prevuepet.com](mailto:customerservice@prevuepet.com)

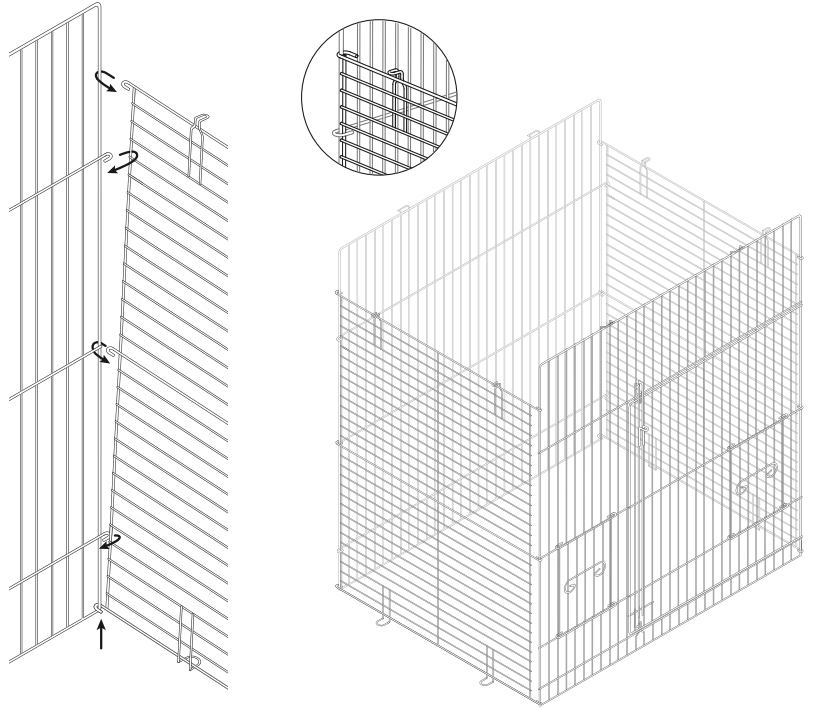
### 1 To assemble the **CAGE BODY**, you will need these pieces:



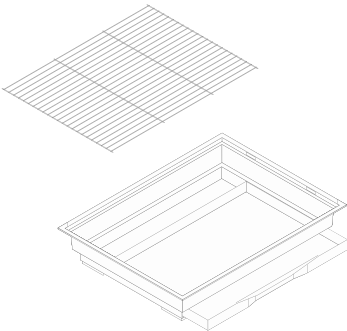
Attach the back panel to the three-panel mesh.

Start in the lower corner and weave the alternating hooked wires of the two panels together, up the seam, to the top.

Repeat the method with the other seam.

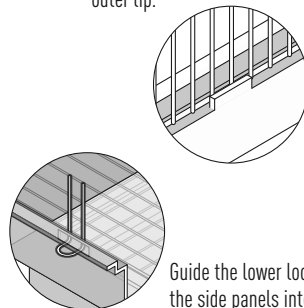


### 2 To add the mesh body to the **BASE**, you will need these pieces:

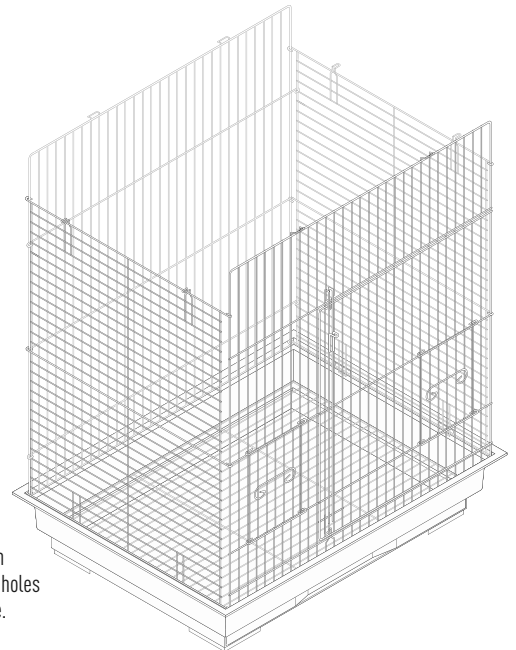


Set the grille into the base and push the tray into the base.

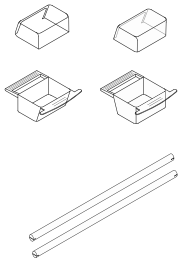
Set the assembled mesh into the base, guiding the mesh between the inner tabs and the outer lip.



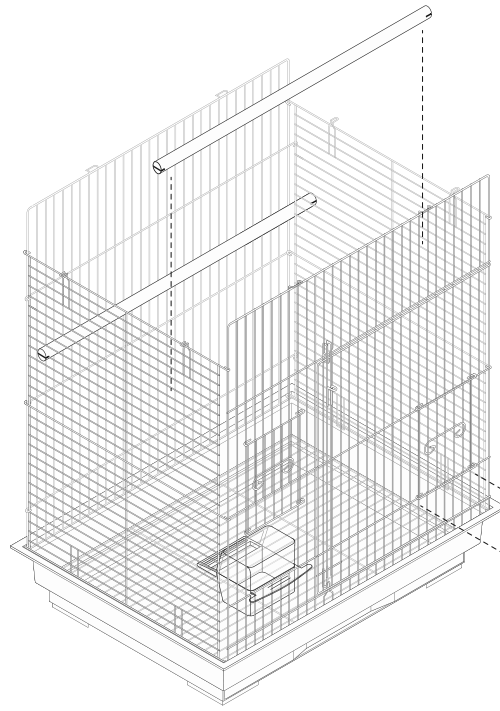
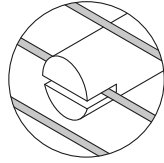
Guide the lower loops on the side panels into the holes along the lip of the base.



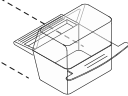
### 3 To add the **COMPONENTS**, you will need these pieces:



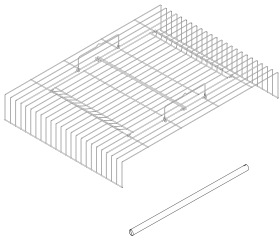
Insert the perches on a horizontal wire at a level height.



Assemble the two-piece cups. Slide the cup doors open and insert the cups into the openings.



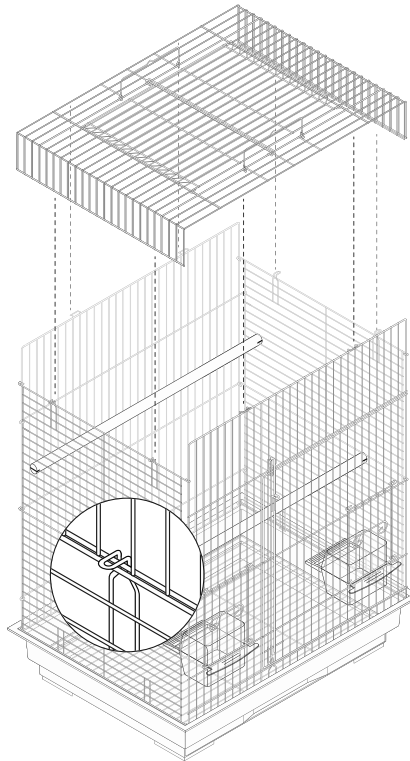
### 4 To add the **PLAYTOP ROOF**, you will need these pieces:



Start at the side.

Catch the bottom horizontal wire of the roof under the loops on the side panel. Softly bend the roof mesh to catch the roof line onto the front and back panel loops.

Finish by catching the roof onto the opposite side loops.



Open the roof top doors and insert the short perch to create the playtop.

